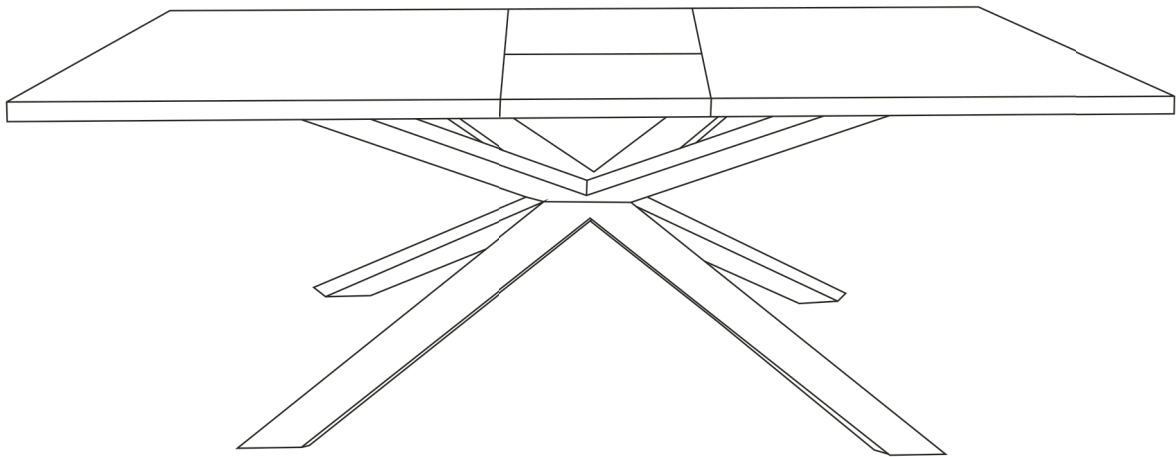
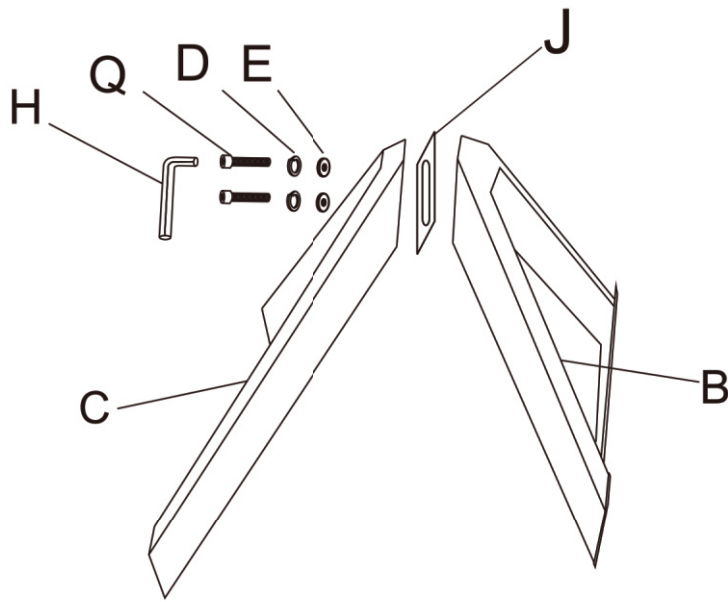


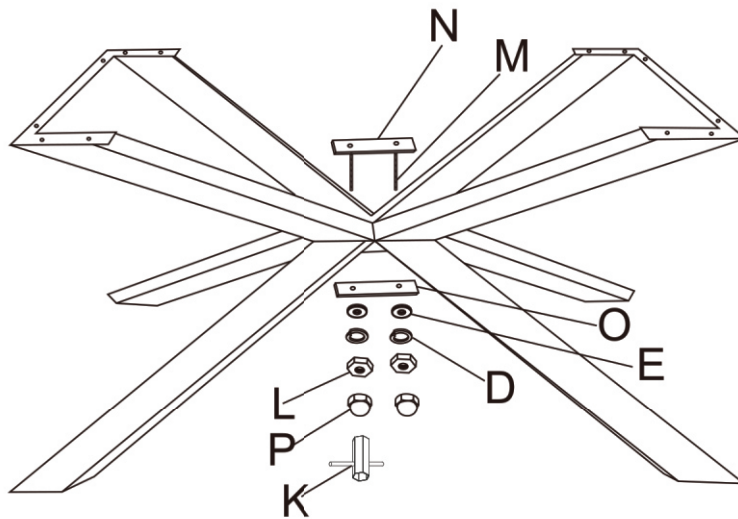
# ASSEMBLY INSTRUCTION-



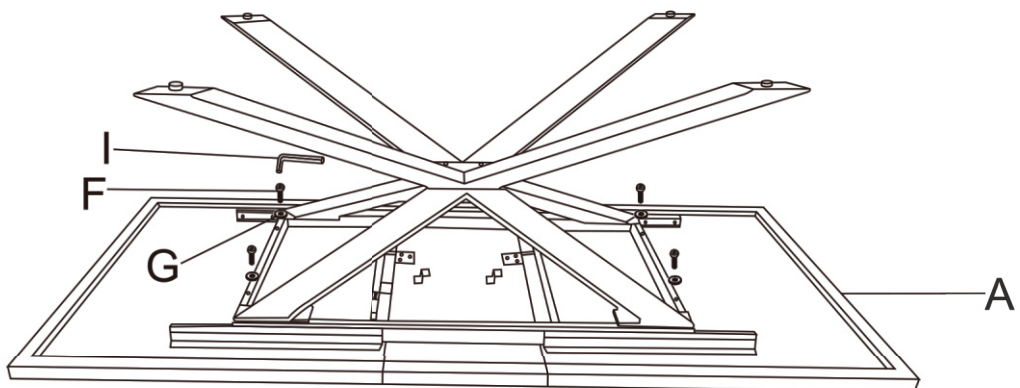
A X1	B X2	C X2	D X6	E X6	F X4	G X4	H X1	I X1
			M10	∅ 22x ∅10x1.5mm	M6X25	∅ 6 x ∅16x1.5mm	M8	M5
J X2	K X1	L X2	M X2	N X1	O X1	P X2	Q X4	
	M10	M10	M10x95			M10	M10x40	



TIGHT60%



TIGHT60%



TIGHT60%

2-2

Tight all screws 60%. Then put the chair on flat surface, make sure the chair is flat. Then tight all screws 100%. Once in a while, tight all screws.